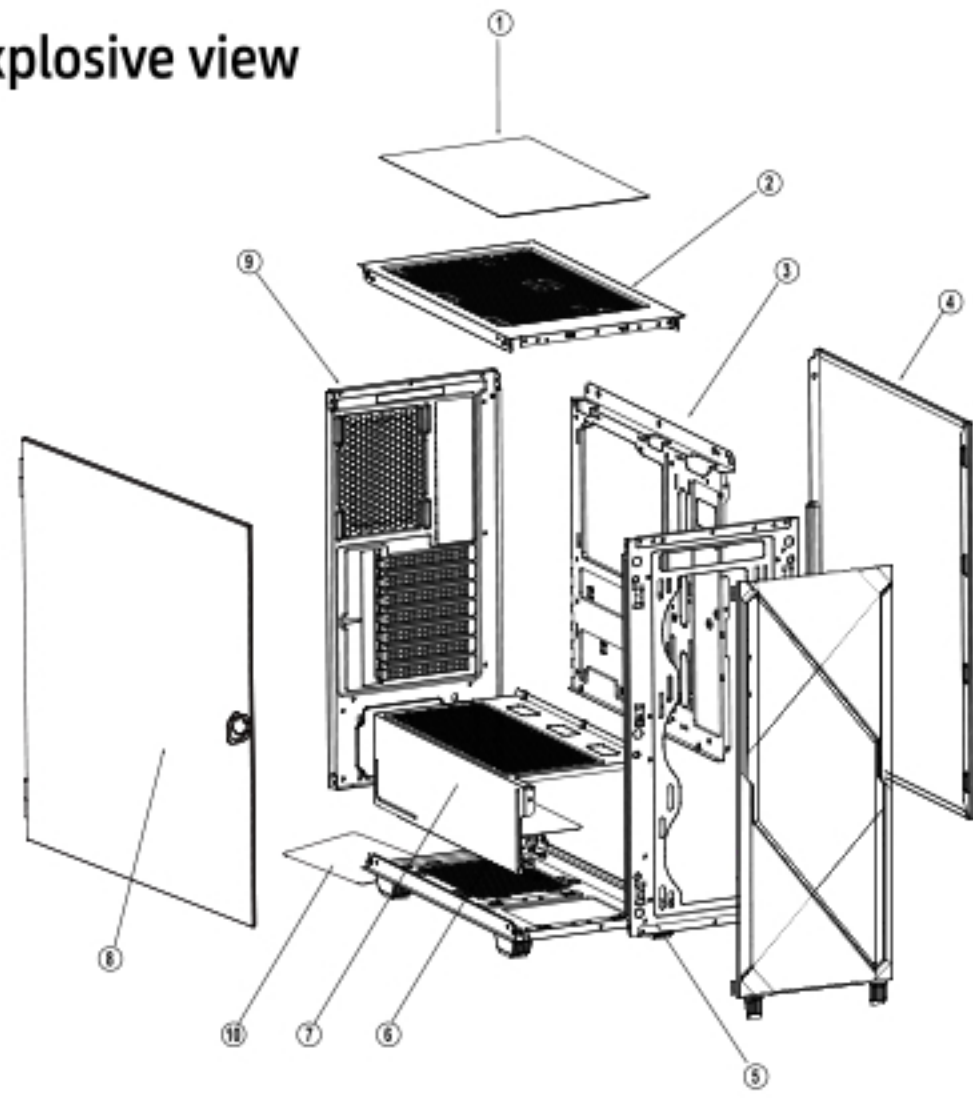


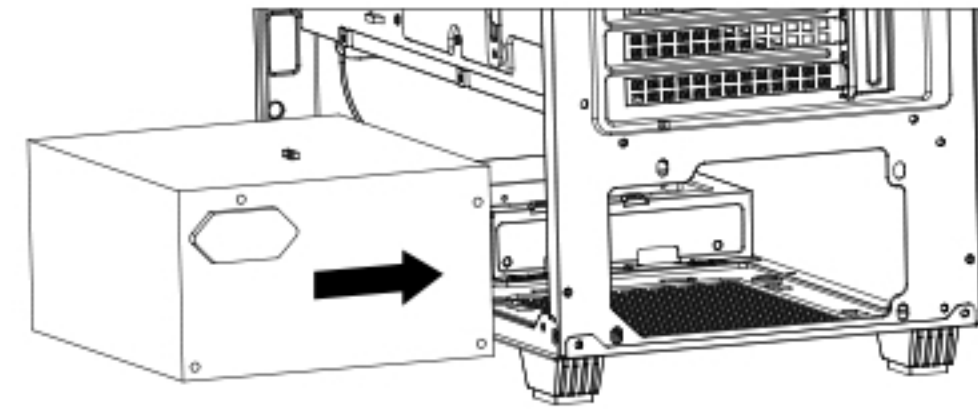
KFA2 INSTALLATION MANUAL

Explosive view

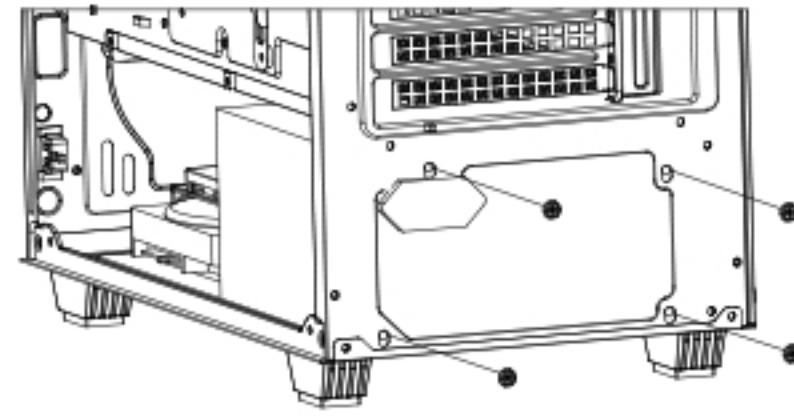


- ① Dust filter ② Top panel ③ M/B ④ Right side panel ⑤ Front plate
- ⑥ Bottom plate ⑦ PSU cover ⑧ Left tempered glass side panel
- ⑨ Rear panel ⑩ Dust filter on the bottom

PSU installation

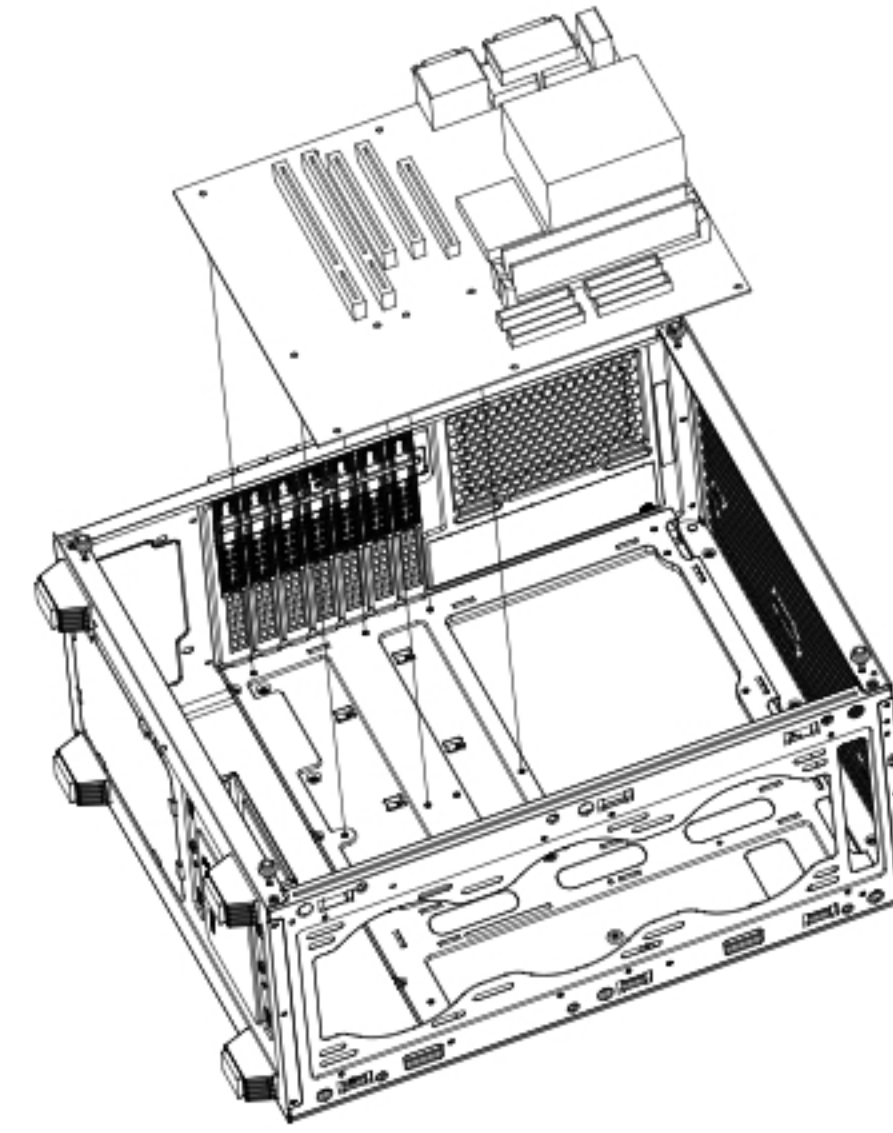


Put psu into chassis from left side



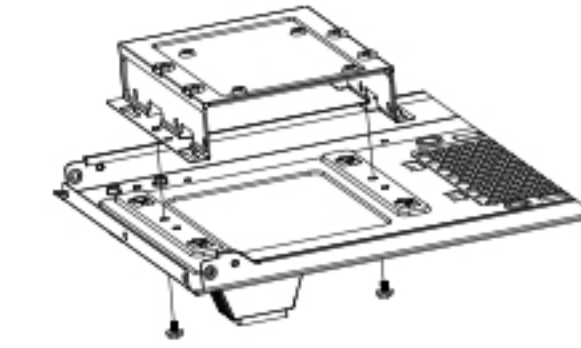
Lock 4pcs psu screws to fix psu

M/B installation

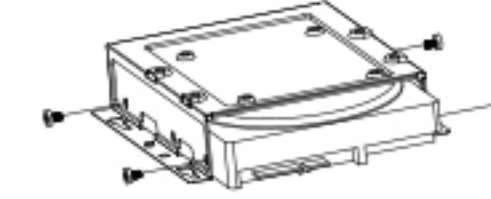


Put M/B to chassis on right position and fix screws

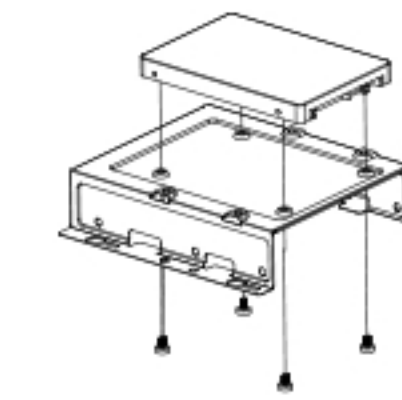
HDD installation



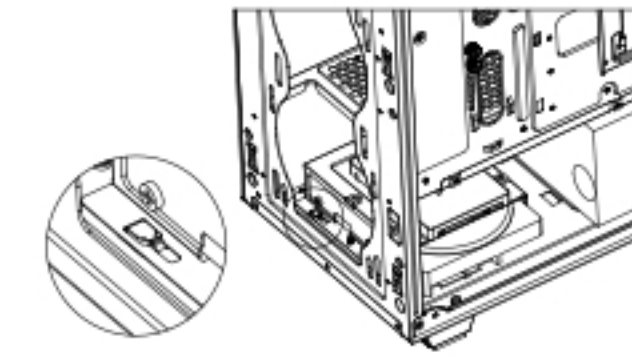
loosen 2pcs screws for HDD bracket, pull out HDD bracket



Fix HDD on bracket

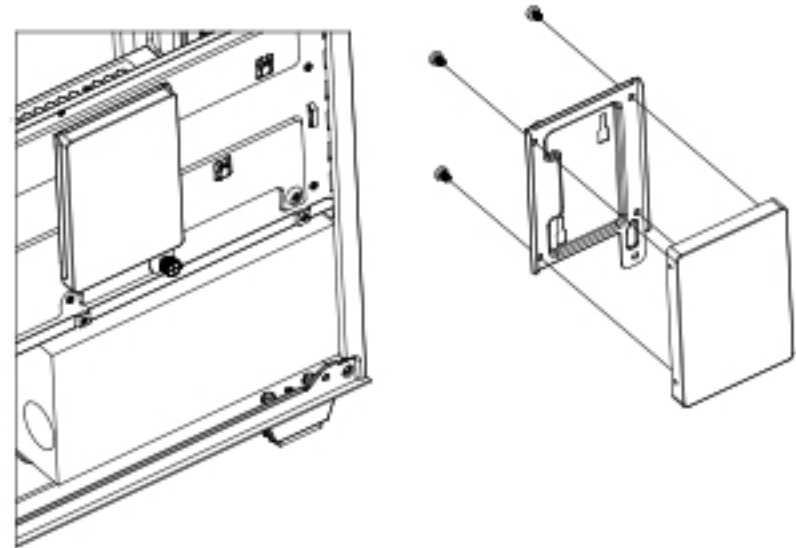


SSD installation. Fix SSD on bracket up side and lock screws first, after that fix HDD



Put bracket on chassis after HDD installation, and lock 2pcs screws

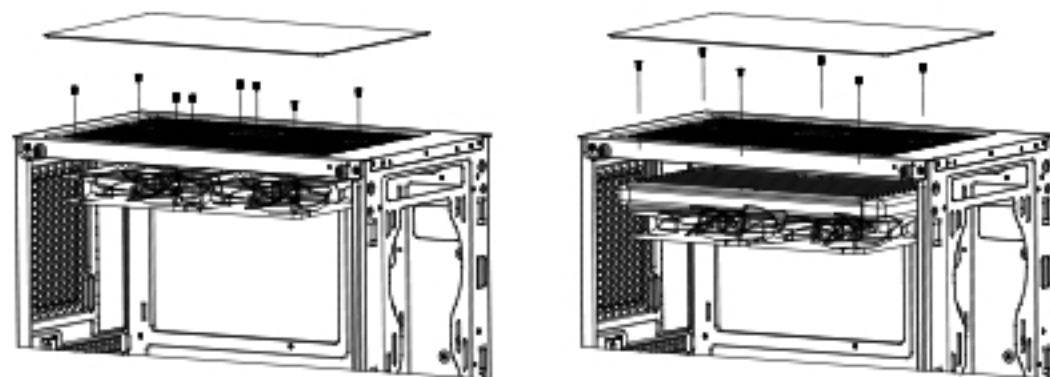
SSD installation



Take off SSD bracket, then fix SSD on bracket and lock bracket to previous place

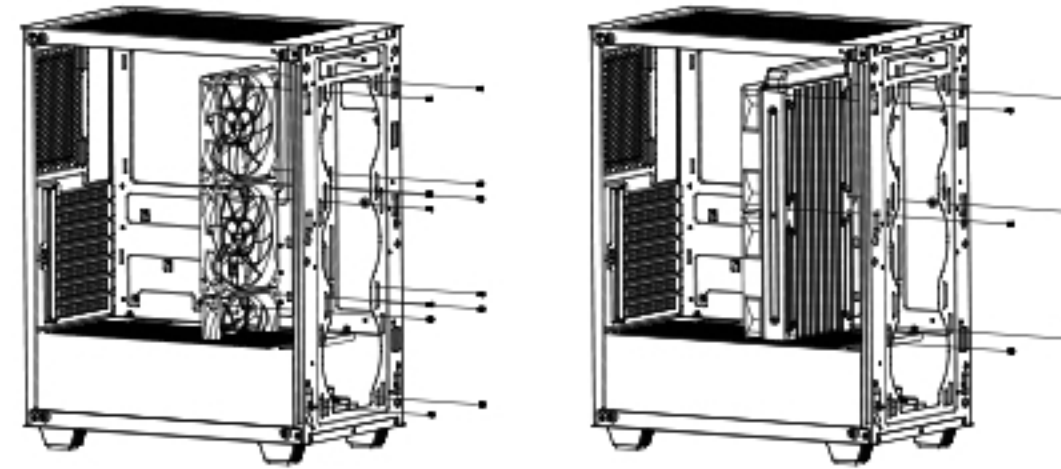
Fan and Water cooling installation

Install fan and water cooling on top panel



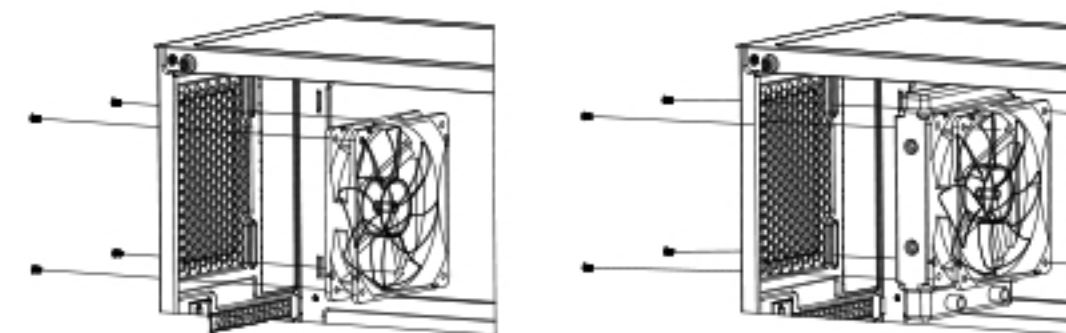
Put fan or water cooling on top panel from inner side and fix screws from outside

Install fan and water cooling on front plate



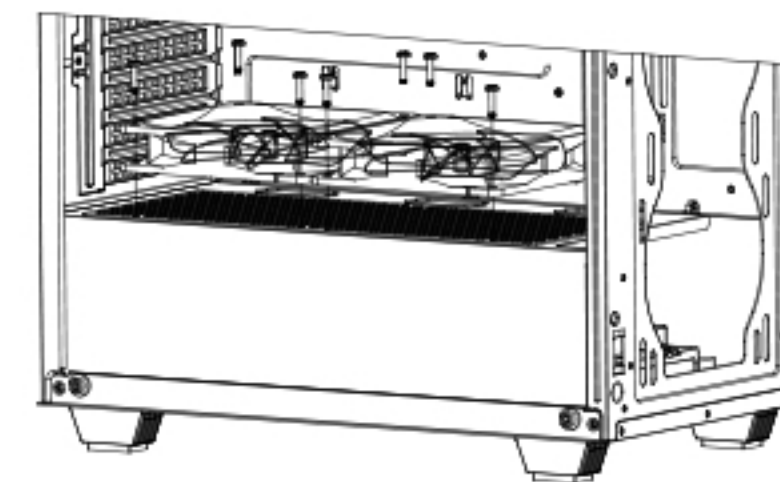
Put fan or water cooling on front plate from inner side and fix screws from outside

Install fan and water cooling on rear panel

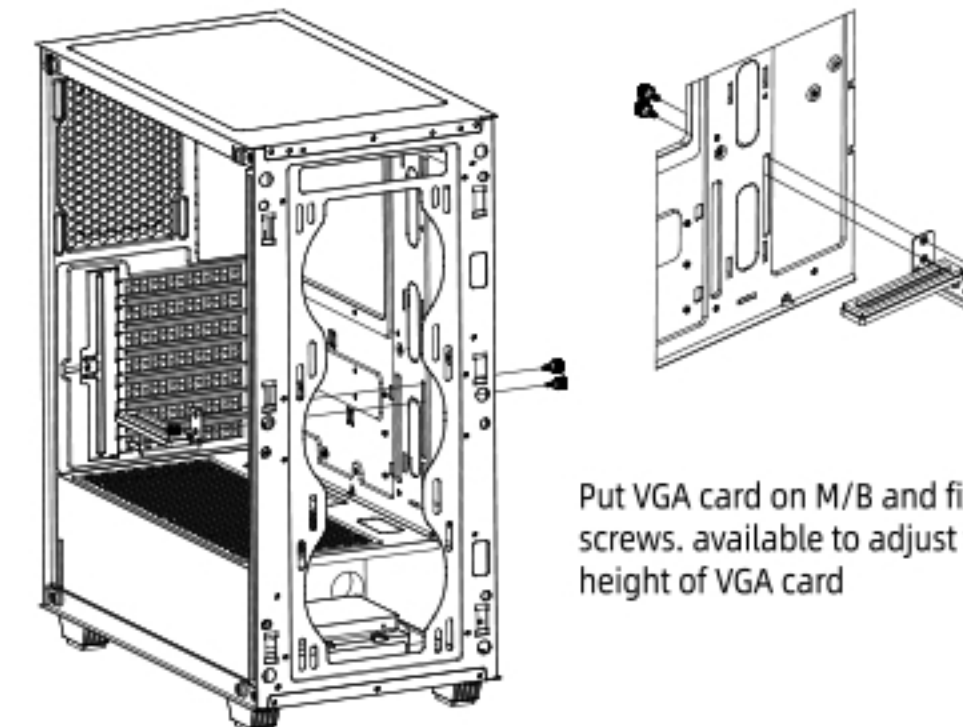


Put fan or water cooling on rear plate from inner side and fix screws from outside

Install fan on psu cover

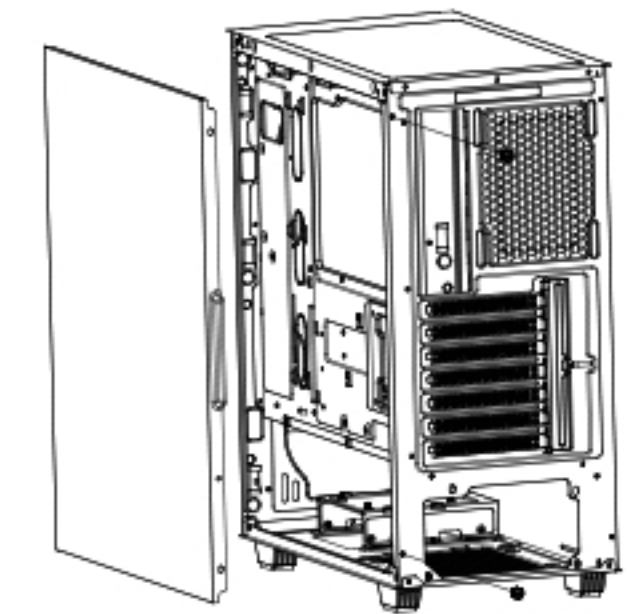


Put fan on upside of psu cover and fix screws

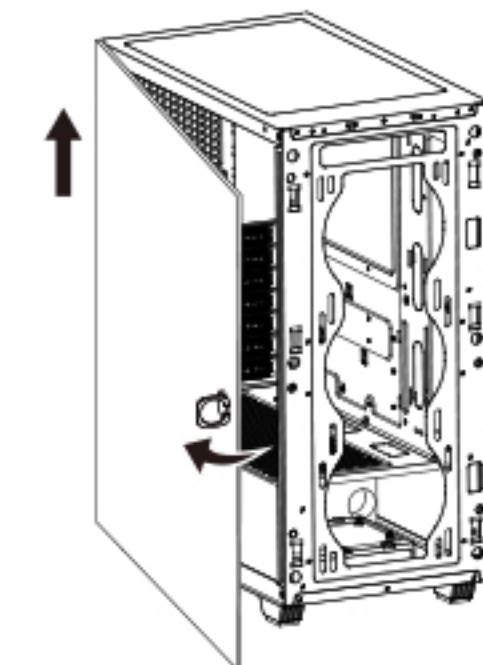


Put VGA card on M/B and fix 2pcs screws. available to adjust the height of VGA card

Install side panel



Put side panel on right position and push it, then lock 2pcs screws



Open left side panel and remove the tempered glass side panel