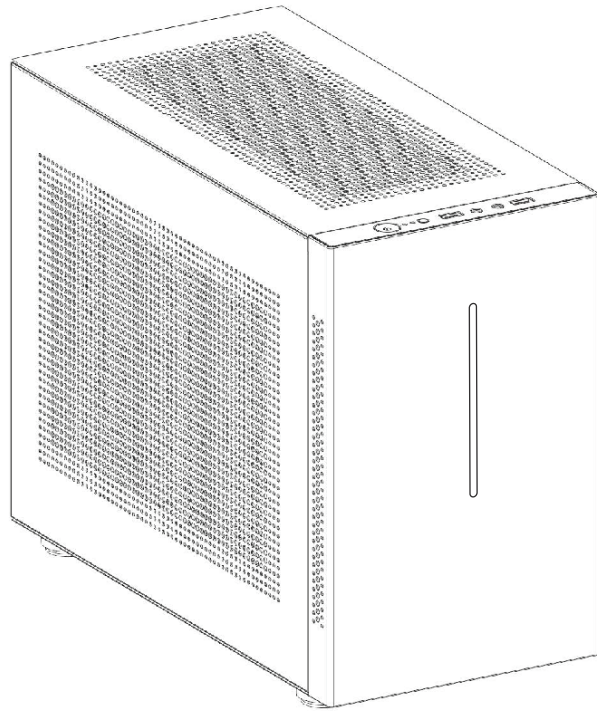


KFA2

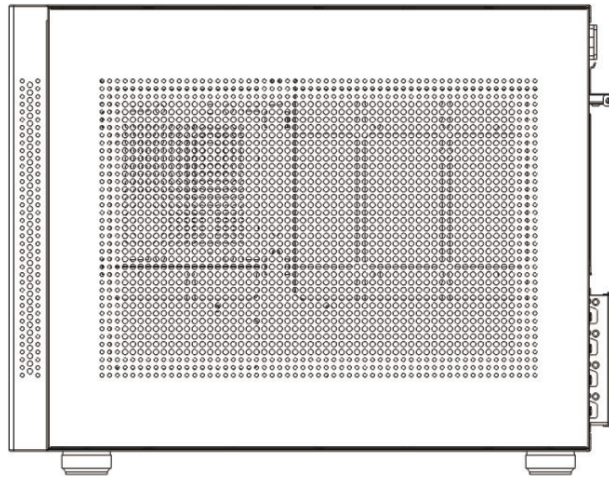
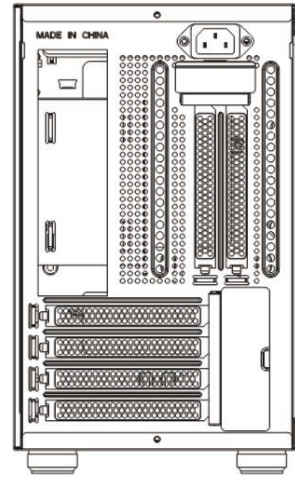
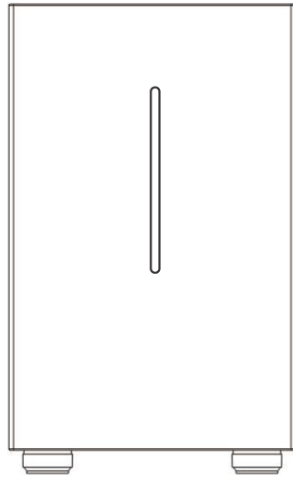


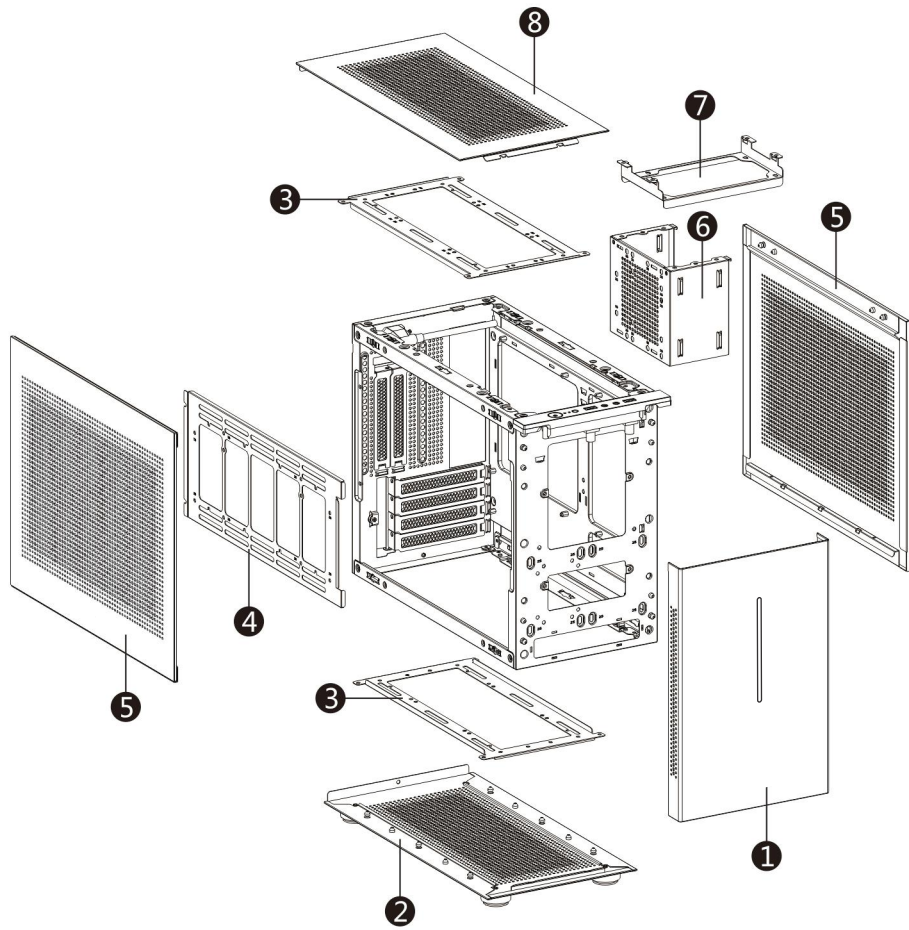
# REVOLUTION-03

MINI-TOWER CASE

# REVOLUTION-03

MINI-TOWER CASE













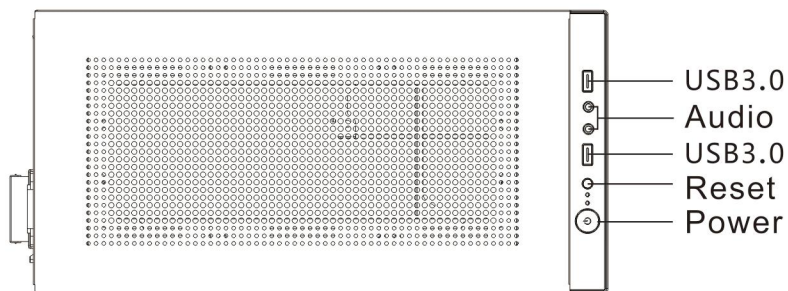
- ① Front Panel
- ② Bottom Plate
- ③ HDD/Fan Bracket
- ④ Left HDD/  
Fan Bracket
- ⑤ Side Cover
- ⑥ Micro-PSU Bracket
- ⑦ ATX PSU Bracket
- ⑧ Top Cover

## Product Specification

Product Name	KFA2 Revolution-03
Chassis Size	350*185*288mm
Product Size	391*185*303mm
Package Size	463*272*380mm
Form Factor	MATX、ITX、M-ITX
Max CPU Cooler Height	155mm (Without Vertical GPU or fan bracket)
MAX GPU Length	335mm
Fan Support	Rear: 1*8cm Side: 2*12cm Top: 2*12cm Bottom: 2*12cm
Water Cooler Support	Left HDD/Fan Bracket: Support 240mm water cooler with SFX PSU Bottom: Support 240mm water cooler with ITX mother board
HDD Space	3.5"HDD*3 2.5"SSD*3
IO Ports	USB3.0*2 HD AUDIO

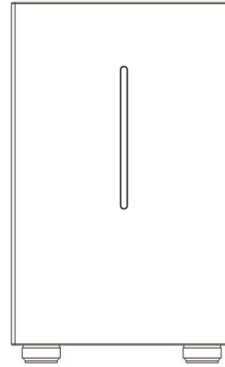
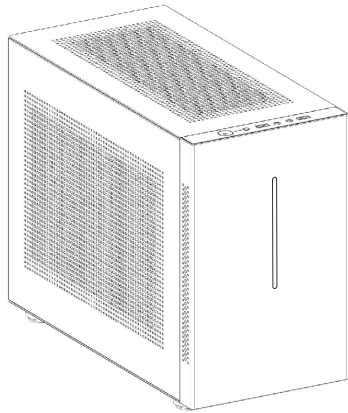
## Accessories

Picture	Name	Usage	Quantity
	PSU Screws	Fix PSU	4
	HDD Screws	Fix 3.5" HDD	8
	M/B Screws	Fix MB/2.5"SSD	16
	2.5"SSD Step Screws	Fix 2.5"SSD	4
	3.5"HDD Step Screws	Fix 3.5"HDD	4
	Gasket	Use on step screws to fix Harddisk	4
	Cable Tie A	Cable Management	8
	Cable Tie B	Cable Management	8
	Copper Cylinder	Used on MB	1
	Copper Pillar	Fix/Remove Cylinder	1

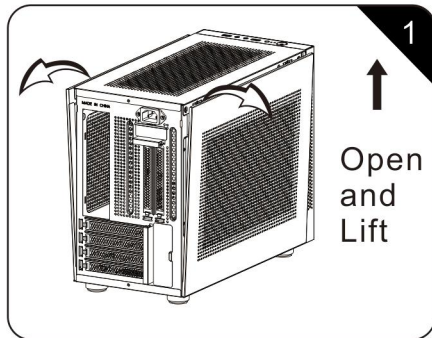


# REVOLUTION-03

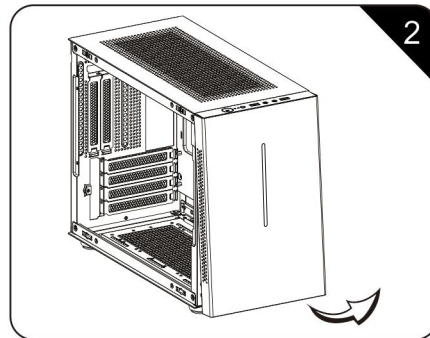
MINI-TOWER CASE



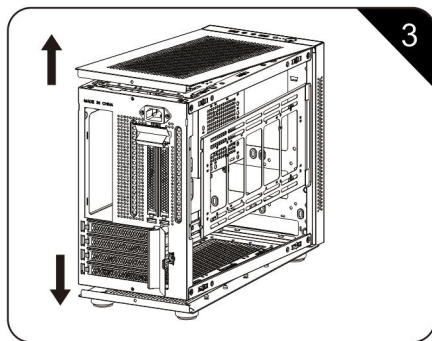
## Disassembling



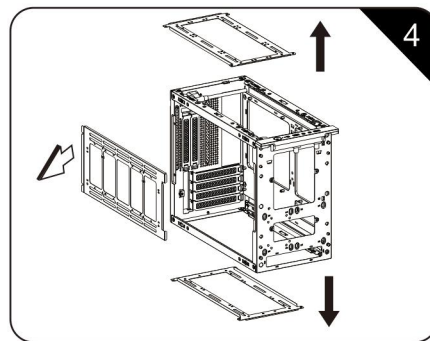
Remove side panels from the back



Remove front panel

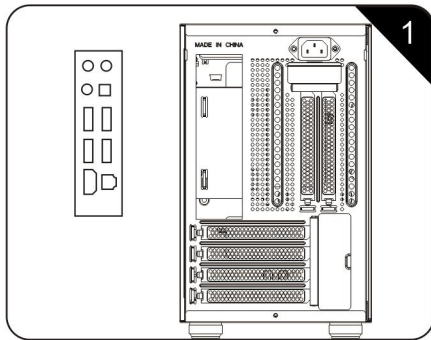


Remove screws on rear plate, then open top and bottom plate

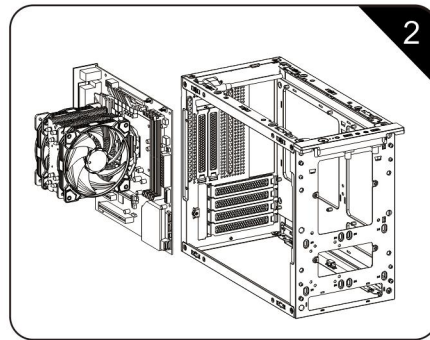


Unscrew to remove HDD/Fan bracket and the side bracket

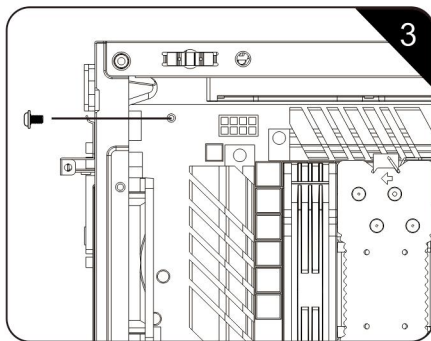
### MATX Installation Plan - MB Installation



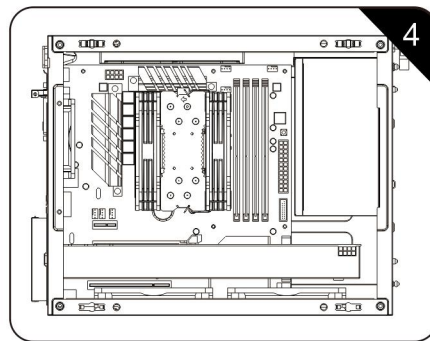
Get the IO slot ready



Put in MATX mother board to right location

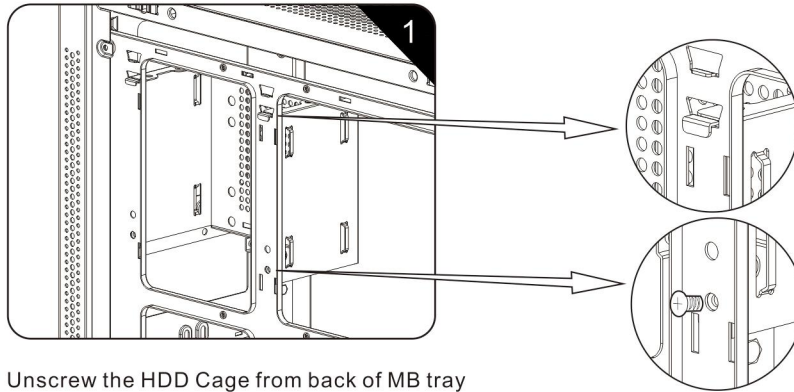


Fix with mother board screws

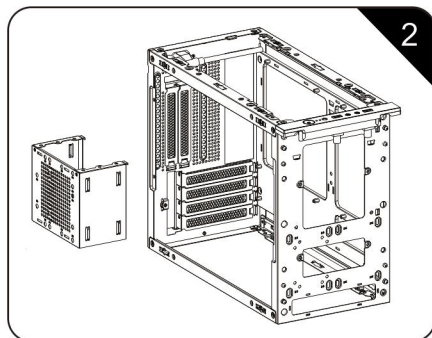


Finish

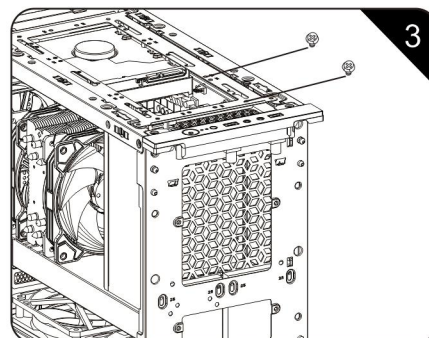
## MATX Installation Plan - ATX PSU Installation



Unscrew the HDD Cage from back of MB tray



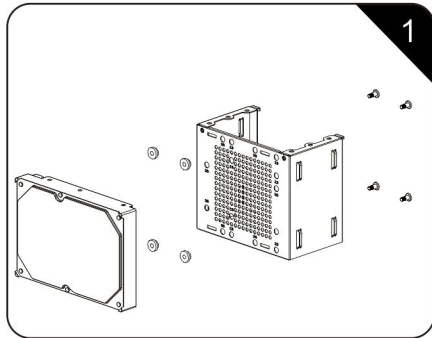
Remove the Micro PSU cage, put ATX PSU into the correct position



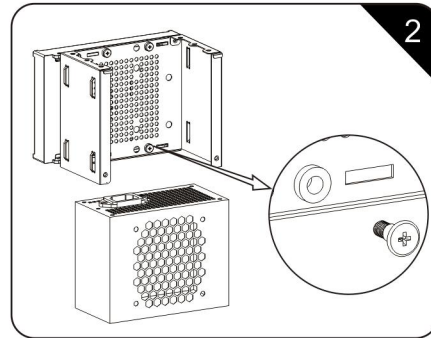
Fix with hex screws from the top



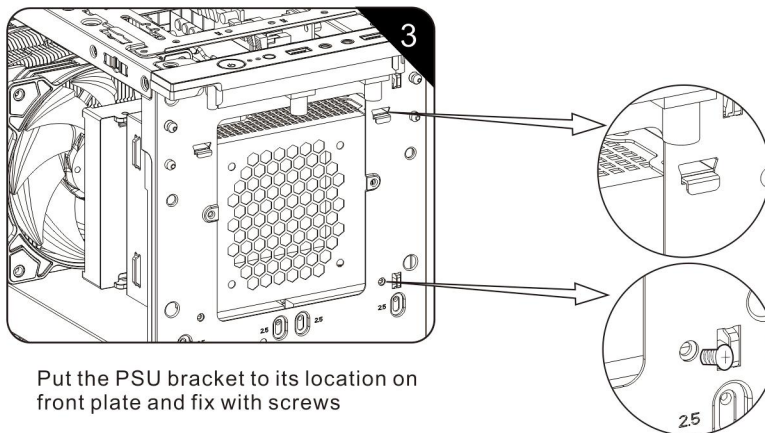
### MATX Installation Plan - Installation of SFX PSU



Put in gaskets before fixing  
HDD/SSD with step screws  
(Fix SSD with 2.5" SSD screws)  
(Fix HDD with 3.5" HDD screws)

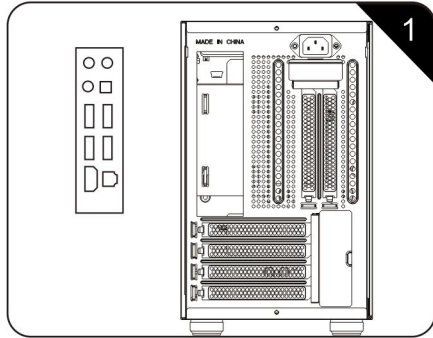


Put in the PSU and fix with hex screws

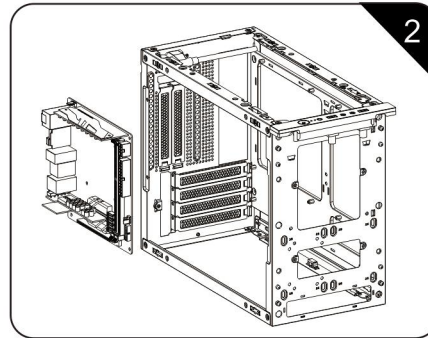


Put the PSU bracket to its location on  
front plate and fix with screws

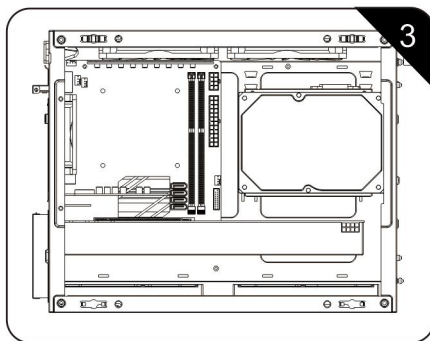
## ITX Installation Plan - MB Installation



Get the IO slot ready

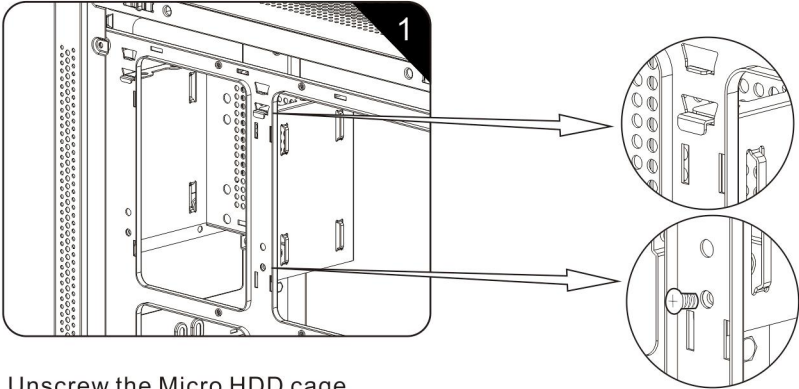


Put in ITX mother board to right location

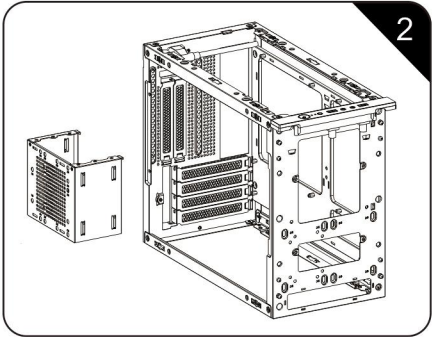


Put in ITX mother board to right location

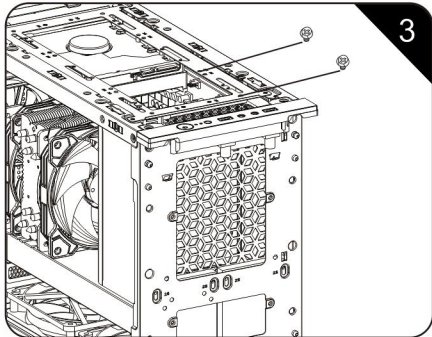
**ITX Mother Board Installation Plan - ATX PSU Installation**



Unscrew the Micro HDD cage from back of MB tray

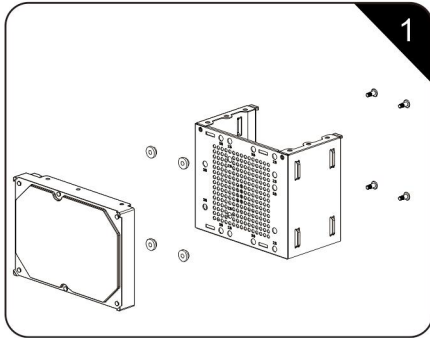


Remove the Micro PSU cage, put ATX PSU into the correct position

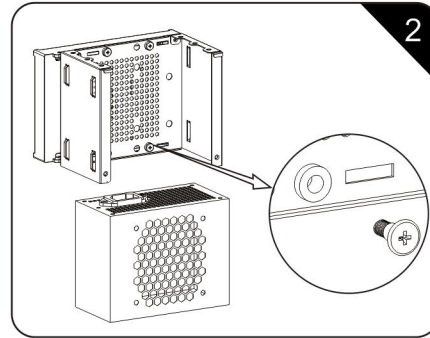


Fix with hex screws from the top

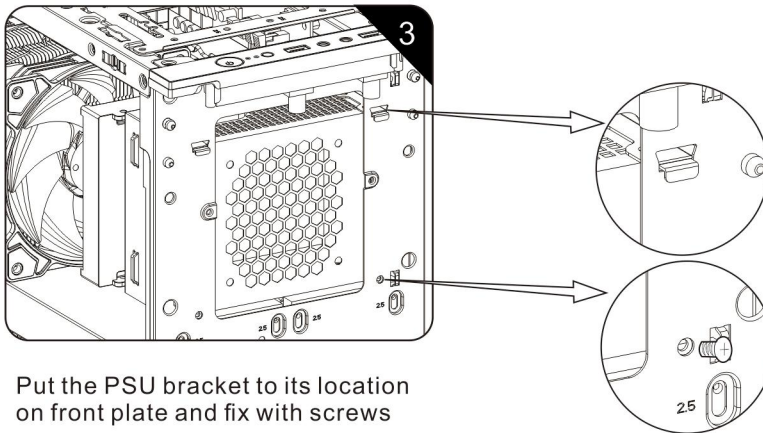
## ITX Installation Plan - Installation of Micro PSU①



Put in gaskets before fixing  
HDD/SDD with step screws  
(Fix SSD with 2.5" SSD screws)  
(Fix HDD with 3.5" HDD screws)

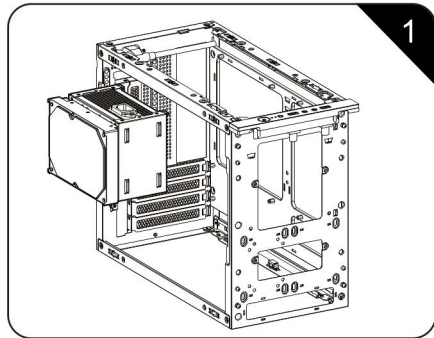


Put in the PSU and fix with hex screws

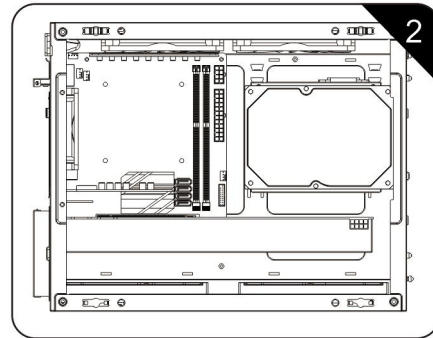


Put the PSU bracket to its location  
on front plate and fix with screws

### ITX Installation Plan - Installation of Micro PSU②

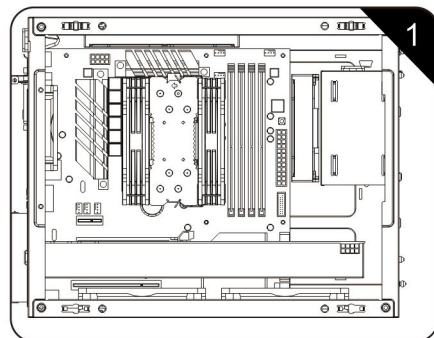


Put the cage with HDD and PSU back into the chassis

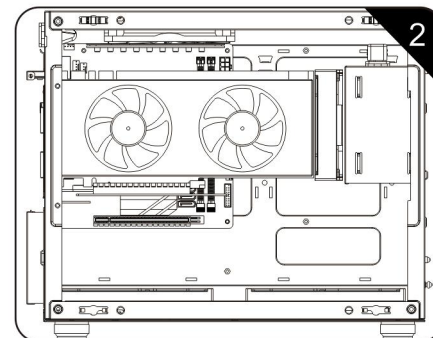


Fix with screws from back of MB tray

### Max. CPU Cooler Height

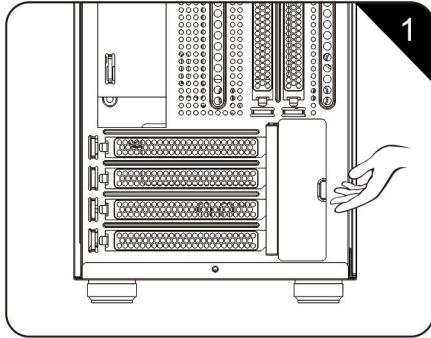


When GPU installed horizontally and without left side bracket: 155mm

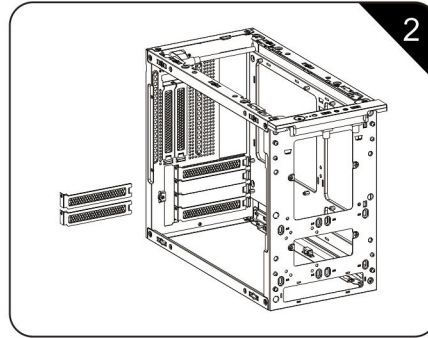


When GPU installed vertically: 88mm

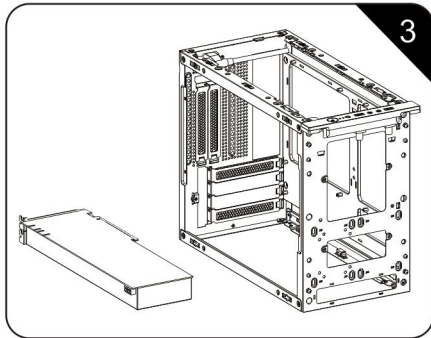
## Installation of Graphic Card



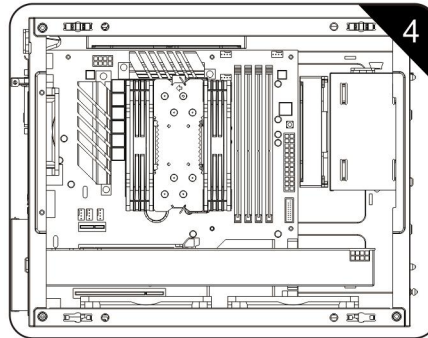
Lift PCI magnetic bay



Unscrew and remove PCI bay

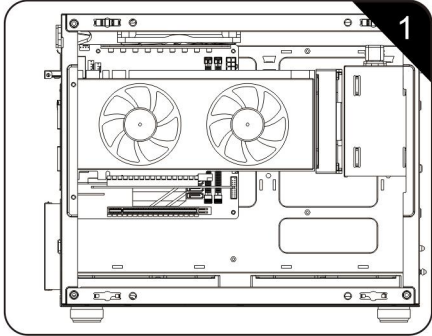


Insert GPU and fix with screw

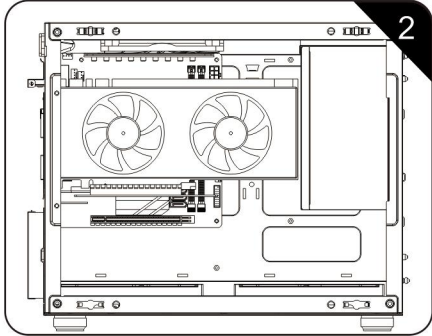


Finish

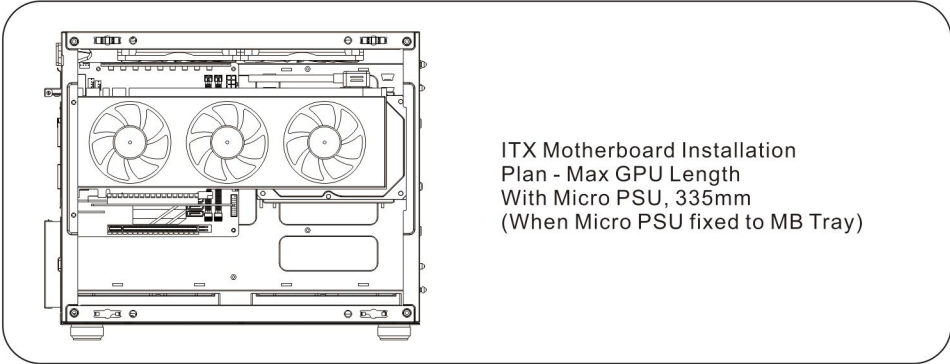
## Length Limitation of Vertical GPU Installation



With Micro PSU, 245mm  
(When PSU fixed to front plate)

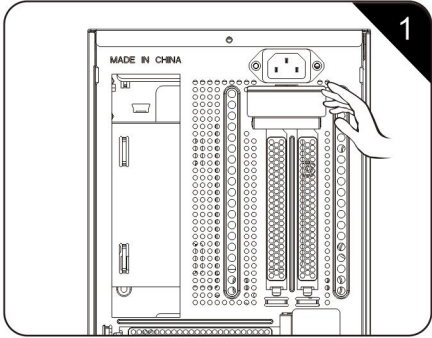


With ATX PSU, 245mm

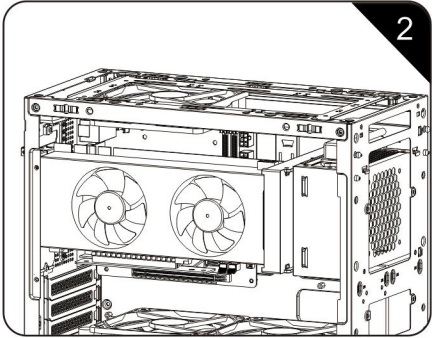


ITX Motherboard Installation  
Plan - Max GPU Length  
With Micro PSU, 335mm  
(When Micro PSU fixed to MB Tray)

## Installation of vertical GPU

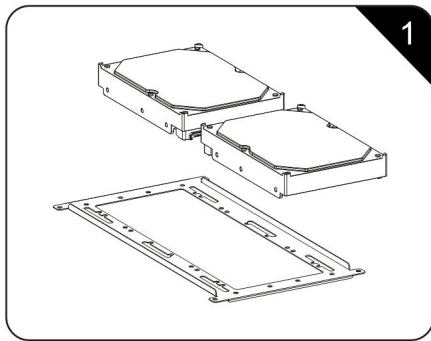


Lift PCI Magnetic bay, unscrew  
to remove PCI bay

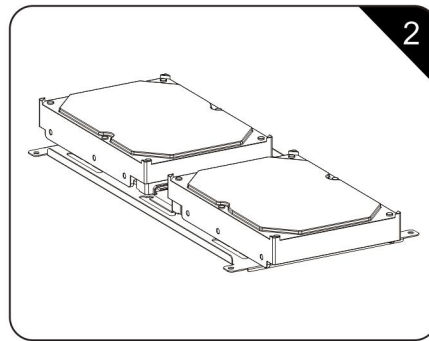


Insert GPU and fix with screws,  
then connect with cable

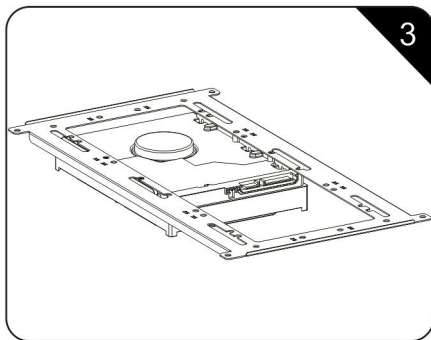
## Installation of HDD on HDD/Fan Bracket



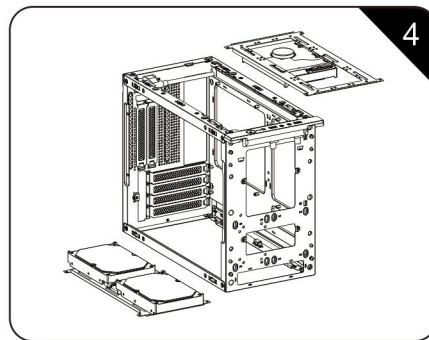
Get SSD/HDD and the bracket ready



Put the SSD/HDD to the bracket on the side with lifted edge



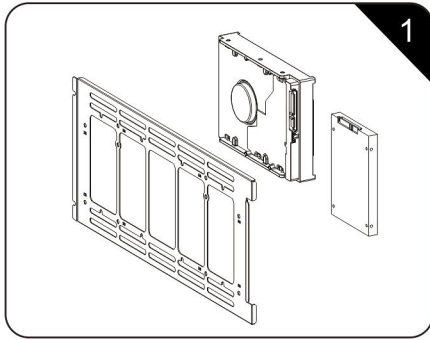
Fix with screws  
(HDD screws for HDD)  
(MB screws for SSD)



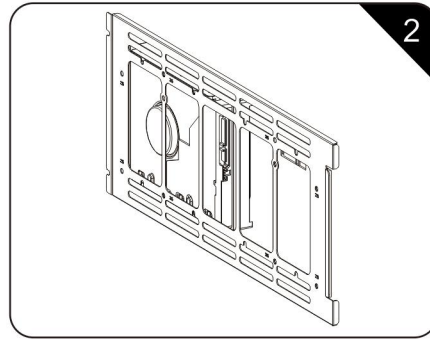
Fix it back to the top/bottom of chassis  
(Only support HDD\*1 on top when with ATX PSU)



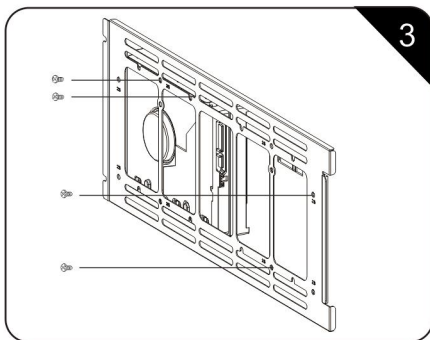
### Installation of HDD/SSD on left fan bracket



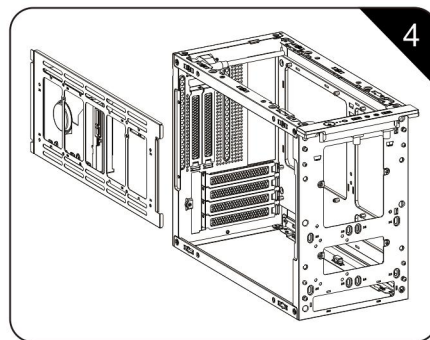
Get SSD/HDD and the bracket ready



Put the SSD/HDD to the bracket on the side with lifted edge

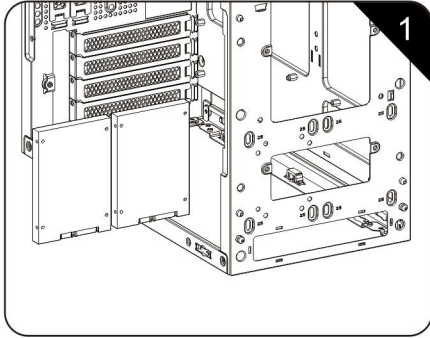


Fix with screws  
(HDD screws for HDD)  
(MB screws for SSD)

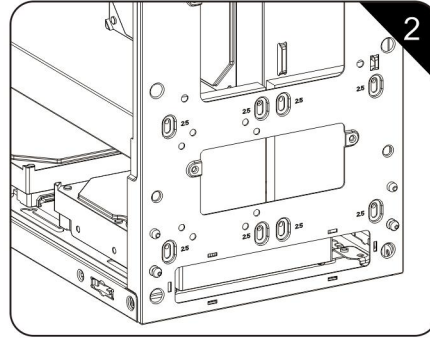


Fix it back to the side of chassis  
(Only support HDD\*1 on top when with ATX PSU)

## Installation of Double SSD inside of Front Plate

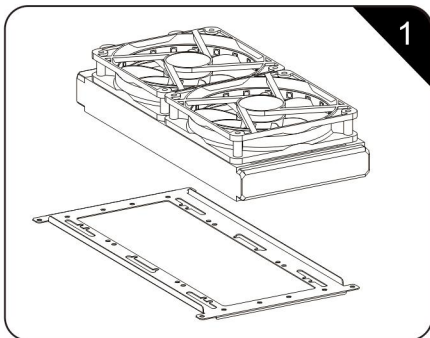


Put the SSD to the location as screws holes indicate

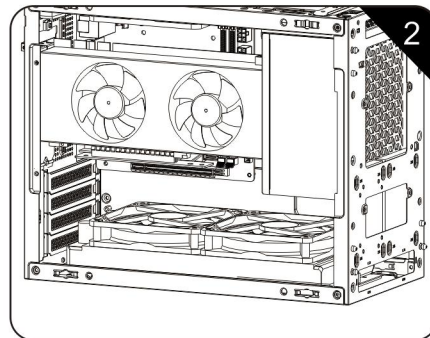


Use M/B screws to fix

## Installation of Water Cooler on HDD/Fan Bracket (Supports only at the bottom)

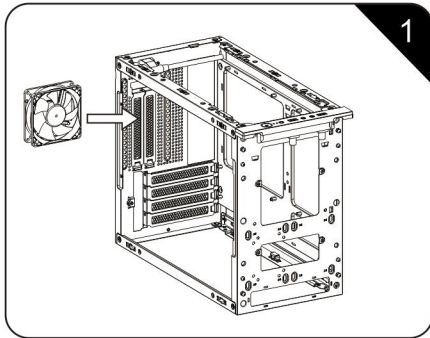


Fix 240/120 water cooler to the bracket as shown on the picture

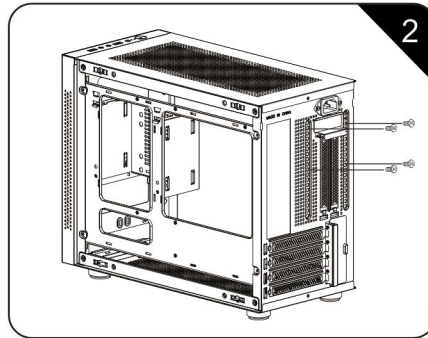


Fix bracket back into the bottom of chassis (Only supports water cooler installation on the bottom plate with vertical GPU and ITX mother board)

### Installation of Rear Plate Fans



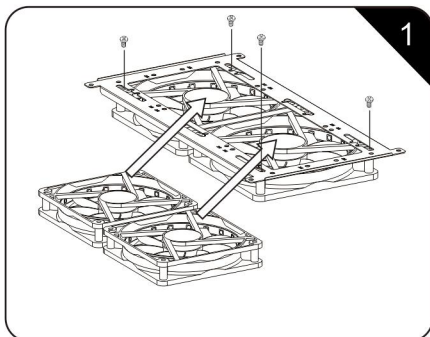
Fix 8cm fan  
(Air outflow)



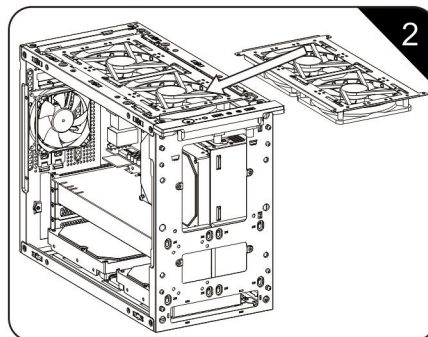
Fix screws from rear plate

### Installation of Fans on HDD/Fan Bracket (Top)

(Support 2\*12cm fan with Micro PSU, Support 1\*12cm fan with ATX PSU)

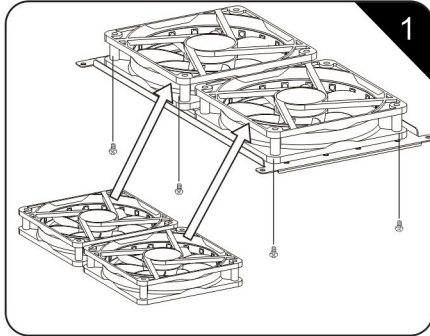


Fix 12cm fan to the bracket

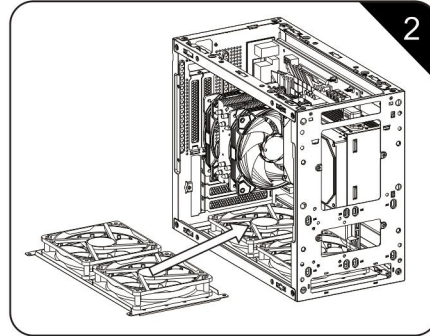


Fix Bracket back to the chassis

## Installation of fans on HDD/Fan Bracket (Bottom)



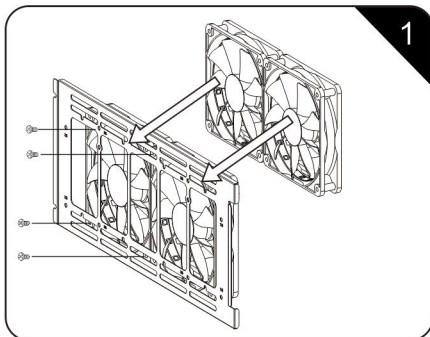
Fix 12cm fans to the bracket  
(Air inflow from the bottom)



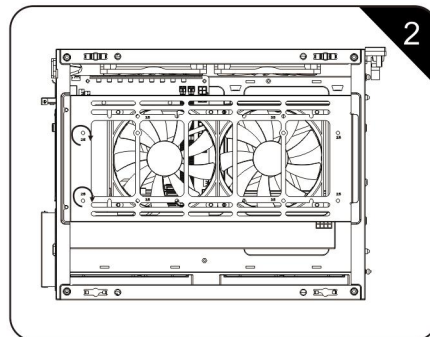
Fix the bracket back into the  
chassis

## Installation of fans on HDD/Fan Bracket (Left Side)

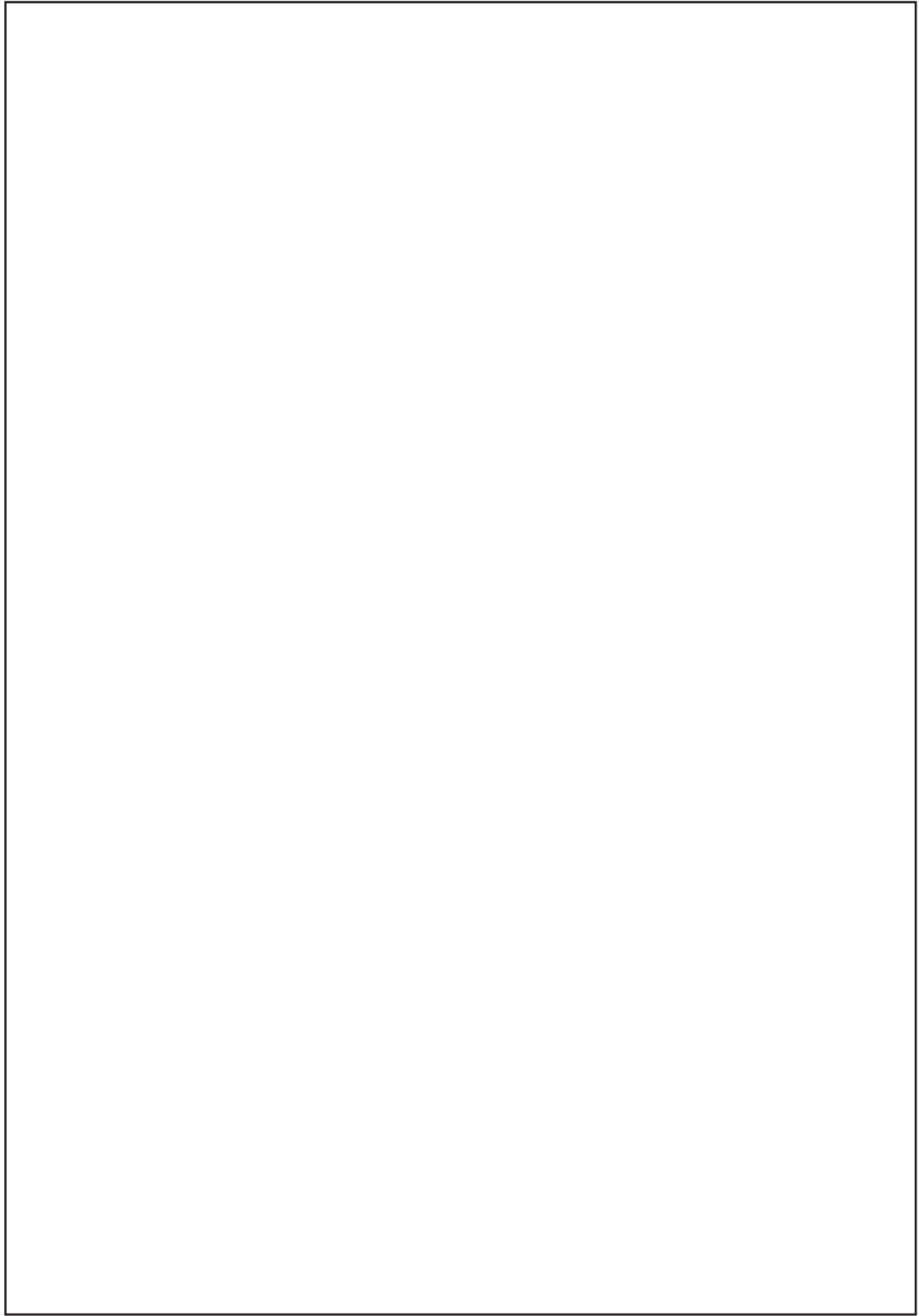
(Support 1\*12cm fans when using ATX PSU; Doesn't support HDD when fans are installed)



Fix 12cm fans to the bracket  
(Air inflow from the left side)



Fix the bracket back into the  
chassis



**KFA2**  
**REVOLUTION-03**  
MINI-TOWER CASE



**KFA2.COM**